

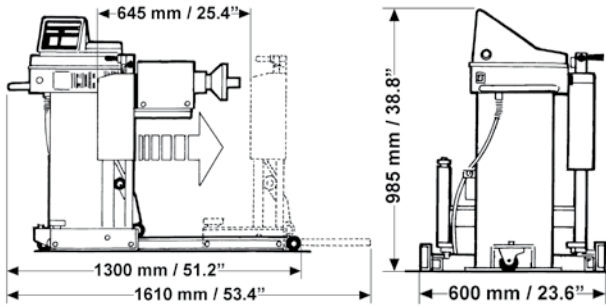
ET66 WL



seguì Corgi - follow Corgi

SPECIFICATIONS

| | |
|--------------------|----------|
| • Tire Diameter | 52" |
| • Rim Width | 4"-20" |
| • Rim Diameter | 12"-28" |
| • Max. Tire Weight | 440 lbs |
| • Spin Time Trucks | 17 sec |
| • Voltage | 110V 1Ph |
| • Shaft | 1.8" |
| • Shipping Weight | 441 lbs |



GENERAL DESCRIPTION

A compact, extremely precise display balancing machine for truck wheels, the ET 66, is fitted on wheels for improved handling and ease of transport, is particularly suitable for external use on equipped vehicles.

The ET66 has a dual display control panel which is designed to be user friendly.

It is equipped with an integrated lift for raising wheels up to 330.7 lbs and is supplied with a wide choice of balancing programs.

Available in manual or motor-driven spin device versions, it also operates with a 12V battery.

STANDARD ACCESSORIES

- Spacer Flange
- Medium Cone 4.2"- 7.9"
- Large Cone 8.6"- 11"
- Wing Nut
- Tire Caliper
- Calibration Weight (3.5 oz)
- Calibration Weight (10 oz)
- Wheel Weight Pliers
- Attaching Bolt (requires 2)

LIMITED WARRANTY

- 6 Months Labor.
- 1 Year Parts.
- 2 Years on PC Boards

